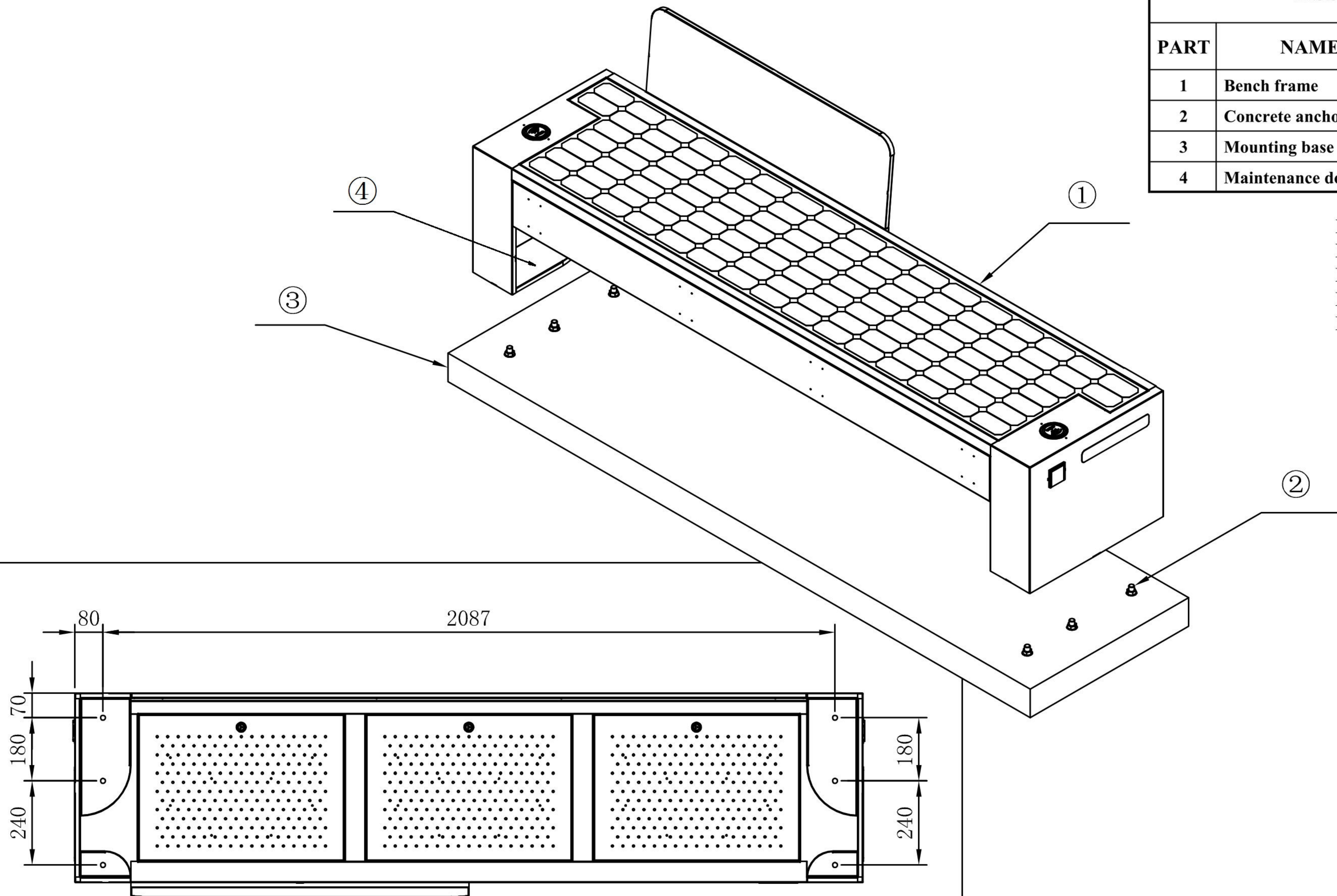


ASSEMBLY LIST

PART	NAME	DIMENSION	QUANTITY
1	Bench frame		1PC
2	Concrete anchor	M14*150mm	6PCS
3	Mounting base		
4	Maintenance door		

Included Fasteners:
M14*150 Concrete anchors = 6pcs
Required Tools:
Box end wrench
Phillips screw driver



1. Select a flat surface for mounting the bench frame (Item 1). Drill holes in mounting base (Item 3) in configuration shown as picture to accept concrete anchors (Item 2). Secure expanding concrete anchors fully to holes and secure bench frame to ground using 21mm box end wrench.
2. Close the maintenance door (Item 4). Ensure all screws are fixed tightly and battery is turned on to complete installation.

WEIYIN
ADLIS

WYC1829 INSTALLATION INSTRUCTION